



# **REQUEST FOR BID (RFB)**

**FOR**

## **Bristol Radio Tower Structural Enhancements**

**BID #2222**

### **Exhibit 1 – County Provided Materials**

Kenosha County will provide the following materials for the Bristol Tower Structural Enhancements. The awarded Contractor shall be responsible to provide any additional materials required to complete the work.

SHEET SIZE: 11X17

## BILL OF MATERIAL

PART MARK	QTY	MATERIAL	LENGTH FT. IN	STEEL GRADE	REMARKS / PART NO.	WEIGHT UNIT	WEIGHT TOTAL	QC
14S83133-DB1 (118.1' - 98.4')	12	DIAGONAL BRACES						
14S83133-DB1	12	L3-1/2X3X1/4	16 0"	A572-50		86	1032	
	120	3/4"Ø A325X BOLT	0 2 1/2"		Site			
14S83133-PL1	6	PLATES						
14S83133-PL1	6	PL1/4"X3"	0 4 3/4"	A572-50		1	6	
14S83133-PL2	6	PLATES						
14S83133-PL2	6	PL3/8"X3"	0 4 3/4"	A572-50		2	9	
14S83133-SP1	24	SPACER PLATES						
14S83133-SP1	24	PL3/4"X3"	0 3"	A572-50		2	46	
14S83133-SP2	24	SPACER PLATES						
14S83133-SP2	24	PL5/8"X3"	0 3"	A572-50		2	38	
14S83133-SP3	12	SPACER PLATES						
14S83133-SP3	12	PL1/4"X3"	0 3"	A572-50		1	8	
14S83133-SP4	12	SPACER PLATES						
14S83133-SP4	12	PL3/8"X3"	0 3"	A572-50		1	11	
Total weight:							1151	

Tekla Structures

A	06/01/2022	For Approval	AJ
REV	DATE	DESCRIPTION	BY



**ALLFASTENERS**

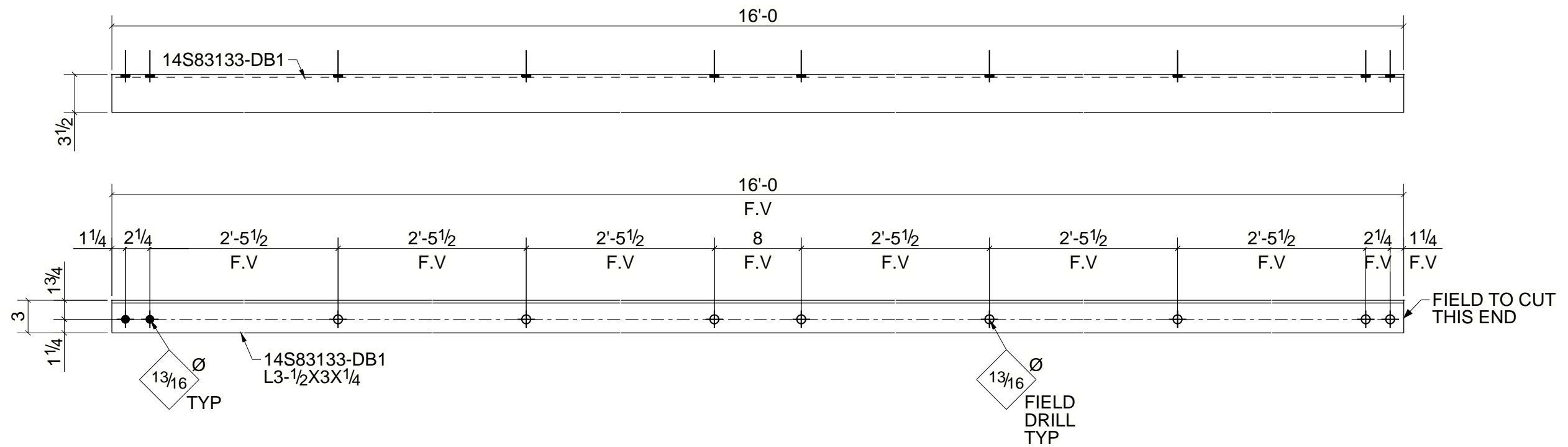
959 LAKE ROAD MEDINA, OHIO 44256  
P (440) 232-6060 F (440) 232-6062  
[www.allfasteners.com](http://www.allfasteners.com)

Job Name	Bristol Tower Enhancement		
Sales Order	S83133	Prep By	AJ
Date	06/01/2022	Chkd By	PK
Description	BILL OF MATERIAL	BOM SHT-01	

PURCHASE ORDER #

### BILL OF MATERIAL

SEE SEPARATE DRAWING	PART MARK	QTY	MATERIAL	LENGTH FT. IN	STEEL GRADE	REMARKS / PART NO.	WEIGHT UNIT	WEIGHT TOTAL
		12	DIAGONAL BRACES					
-	14S83133-DB1 (118.1' - 98.4')	12	L3-1/2X3X1/4	16 0"	A572-50		86	1032
		120	3/4"Ø A325X BOLT	0 2 1/2"		Site		
TOTAL WEIGHT THIS DRAWING								1032



## 12 DIAGONAL BRACES 14S83133-DB1 (118.1' - 98.4')

REF. SHEET NO: S-3



959 LAKE ROAD MEDINA, OHIO 44256  
 P (440) 232-6060 F (440) 232-6062  
 www.allfasteners.com

Job Name	Bristol Tower Enhancement		
Sales Order	S83133	Drawn By	AJ
Date	06/01/2022	Chkd By	PK
Description	DIAGONAL BRACE	14S83133-DB1	

ALL MATERIAL TO BE HOT DIP GALVANIZED

REV	DATE	DESCRIPTION	BY
A	06/01/2022	For Approval	AJ

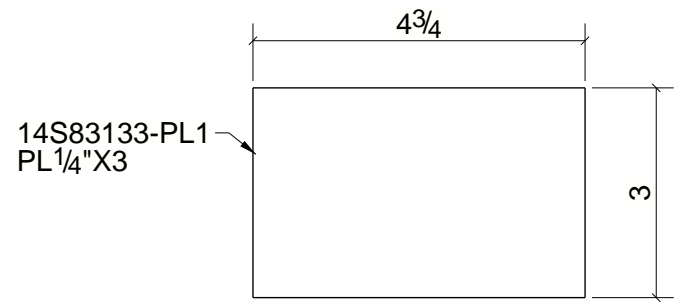
This drawing and all information shown is the exclusive property of Allfasteners USA LLC. The recipient agrees that no disclosure of the drawing or information will be to a third party without prior written consent of Allfasteners USA LLC.

SHEET SIZE: 11X17

PURCHASE ORDER #

**BILL OF MATERIAL**

SEE SEPARATE DRAWING	PART MARK	QTY	MATERIAL	LENGTH FT. IN	STEEL GRADE	REMARKS / PART NO.	WEIGHT UNIT	WEIGHT TOTAL
		6	PLATES					
-	14S83133-PL1	6	PL1/4"X3"	0 4 3/4"	A572-50		1	6
TOTAL WEIGHT THIS DRAWING								6



**6 PLATES 14S83133-PL1**

REF. SHEET NO:

**ALLFASTENERS**

959 LAKE ROAD MEDINA, OHIO 44256  
P (440) 232-6060 F (440) 232-6062  
[www.allfasteners.com](http://www.allfasteners.com)

Job Name	Bristol Tower Enhancement		
Sales Order	S83133	Drawn By	AJ
Date	06/01/2022	Chkd By	PK
Description	PLATE	14S83133-PL1	

ALL MATERIAL TO BE HOT DIP GALVANIZED

REV	DATE	DESCRIPTION	BY
A	06/01/2022	For Approval	AJ

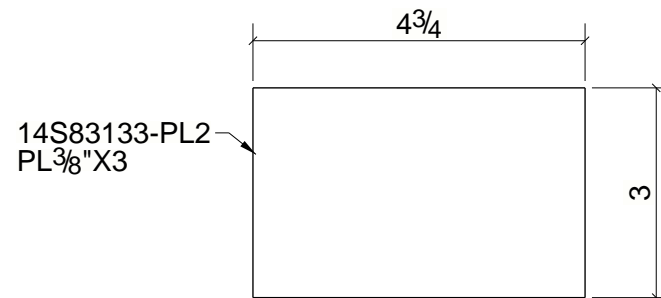
This drawing and all information shown is the exclusive property of Allfasteners USA LLC. The recipient agrees that no disclosure of the drawing or information will be to a third party without prior written consent of Allfasteners USA LLC.

SHEET SIZE: 11X17

PURCHASE  
ORDER #

**BILL OF MATERIAL**

SEE SEPARATE DRAWING	PART MARK	QTY	MATERIAL	LENGTH FT. IN	STEEL GRADE	REMARKS / PART NO.	WEIGHT UNIT	WEIGHT TOTAL
		6	PLATES					
-	14S83133-PL2	6	PL3/8"X3"	0 4 3/4"	A572-50		2	9
TOTAL WEIGHT THIS DRAWING								9



**6 PLATES 14S83133-PL2**

REF. SHEET NO:



959 LAKE ROAD MEDINA, OHIO 44256  
P (440) 232-6060 F (440) 232-6062  
www.allfasteners.com

Job Name	Bristol Tower Enhancement		
Sales Order	S83133	Drawn By	AJ
Date	06/01/2022	Chkd By	PK
Description	PLATE	14S83133-PL2	

ALL MATERIAL TO BE HOT DIP GALVANIZED

REV	DATE	DESCRIPTION	BY
A	06/01/2022	For Approval	AJ

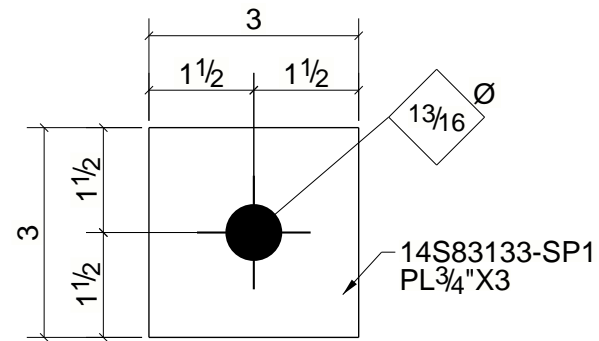
This drawing and all information shown is the exclusive property of Allfasteners USA LLC. The recipient agrees that no disclosure of the drawing or information will be to a third party without prior written consent of Allfasteners USA LLC.

SHEET SIZE T1X7

PURCHASE ORDER #

**BILL OF MATERIAL**

SEE SEPARATE DRAWING	PART MARK	QTY	MATERIAL	LENGTH FT. IN	STEEL GRADE	REMARKS / PART NO.	WEIGHT UNIT	WEIGHT TOTAL
		24	SPACER PLATES					
-	14S83133-SP1	24	PL3/4"X3"	0 3"	A572-50		2	46
TOTAL WEIGHT THIS DRAWING								46



**24 SPACER PLATES 14S83133-SP1**

REF. SHEET NO:



959 LAKE ROAD MEDINA, OHIO 44256  
P (440) 232-6060 F (440) 232-6062  
www.allfasteners.com

Job Name	Bristol Tower Enhancement		
Sales Order	S83133	Drawn By	AJ
Date	06/01/2022	Chkd By	PK
Description	SPACER PLATE	14S83133-SP1	

ALL MATERIAL TO BE HOT DIP GALVANIZED

REV	DATE	DESCRIPTION	BY
A	06/01/2022	For Approval	AJ

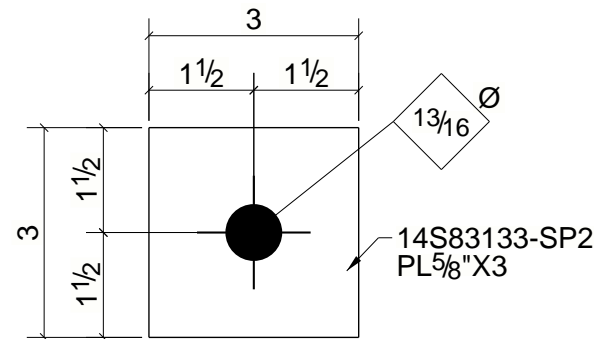
This drawing and all information shown is the exclusive property of Allfasteners USA LLC. The recipient agrees that no disclosure of the drawing or information will be to a third party without prior written consent of Allfasteners USA LLC.

SHEET SIZE 11X17

PURCHASE ORDER #

**BILL OF MATERIAL**

SEE SEPARATE DRAWING	PART MARK	QTY	MATERIAL	LENGTH FT. IN	STEEL GRADE	REMARKS / PART NO.	WEIGHT UNIT	WEIGHT TOTAL
		24	SPACER PLATES					
-	14S83133-SP2	24	PL5/8"X3"	0 3"	A572-50		2	38
TOTAL WEIGHT THIS DRAWING								38



**24 SPACER PLATES 14S83133-SP2**

REF. SHEET NO:

**ALLFASTENERS**   
 959 LAKE ROAD MEDINA, OHIO 44256  
 P (440) 232-6060 F (440) 232-6062  
 www.allfasteners.com

Job Name	Bristol Tower Enhancement		
Sales Order	S83133	Drawn By	AJ
Date	06/01/2022	Chkd By	PK
Description	SPACER PLATE	14S83133-SP2	

ALL MATERIAL TO BE HOT DIP GALVANIZED

REV	DATE	DESCRIPTION	BY
A	06/01/2022	For Approval	AJ

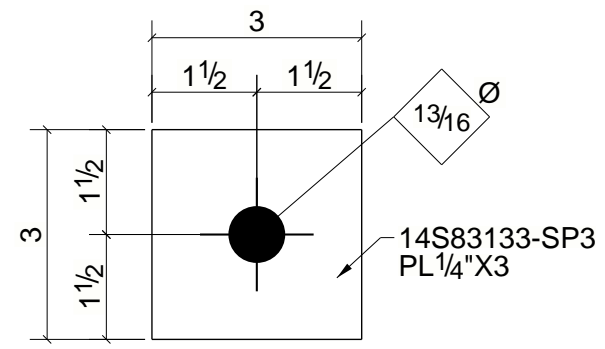
This drawing and all information shown is the exclusive property of Allfasteners USA LLC. The recipient agrees that no disclosure of the drawing or information will be to a third party without prior written consent of Allfasteners USA LLC.

SHEET SIZE T1X7

PURCHASE ORDER #

**BILL OF MATERIAL**

SEE SEPARATE DRAWING	PART MARK	QTY	MATERIAL	LENGTH FT. IN	STEEL GRADE	REMARKS / PART NO.	WEIGHT UNIT	WEIGHT TOTAL
		12	SPACER PLATES					
-	14S83133-SP3	12	PL1/4"X3"	0 3"	A572-50		1	8
TOTAL WEIGHT THIS DRAWING								8



**12 SPACER PLATES 14S83133-SP3**

REF. SHEET NO:

**ALLFASTENERS**

959 LAKE ROAD MEDINA, OHIO 44256  
 P (440) 232-6060 F (440) 232-6062  
[www.allfasteners.com](http://www.allfasteners.com)

Job Name	Bristol Tower Enhancement		
Sales Order	S83133	Drawn By	AJ
Date	06/01/2022	Chkd By	PK
Description	SPACER PLATE	14S83133-SP3	

REV	DATE	DESCRIPTION	BY
A	06/01/2022	For Approval	AJ

ALL MATERIAL TO BE HOT DIP GALVANIZED

This drawing and all information shown is the exclusive property of Allfasteners USA LLC. The recipient agrees that no disclosure of the drawing or information will be to a third party without prior written consent of Allfasteners USA LLC.

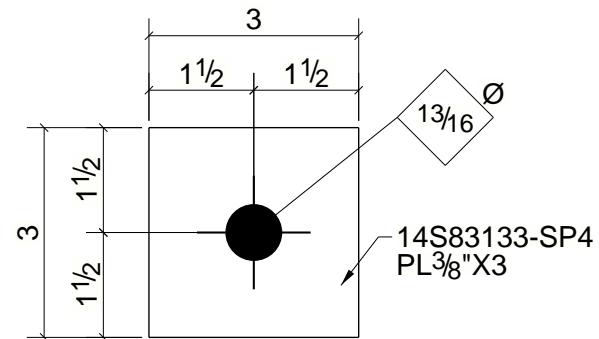


SHEET SIZE 11X17

PURCHASE ORDER #

### BILL OF MATERIAL

SEE SEPARATE DRAWING	PART MARK	QTY	MATERIAL	LENGTH FT. IN	STEEL GRADE	REMARKS / PART NO.	WEIGHT UNIT	WEIGHT TOTAL	
		12	SPACER PLATES						
-	14S83133-SP4	12	PL3/8"X3"	0 3"	A572-50		1	11	
TOTAL WEIGHT THIS DRAWING									11



## 12 SPACER PLATES 14S83133-SP4

REF. SHEET NO:



959 LAKE ROAD MEDINA, OHIO 44256  
 P (440) 232-6060 F (440) 232-6062  
 www.allfasteners.com

Job Name	Bristol Tower Enhancement		
Sales Order	S83133	Drawn By	AJ
Date	06/01/2022	Chkd By	PK
Description	SPACER PLATE	14S83133-SP4	

ALL MATERIAL TO BE HOT DIP GALVANIZED

REV	DATE	DESCRIPTION	BY
A	06/01/2022	For Approval	AJ

This drawing and all information shown is the exclusive property of Allfasteners USA LLC. The recipient agrees that no disclosure of the drawing or information will be to a third party without prior written consent of Allfasteners USA LLC.